

**NOTES**

1. ALL DIMENSIONS ARE IN MILLIMETRES (mm) AND ALL LEVELS ARE IN METRES
2. ALL MATERIALS ARE S355 UN.O.
3. ALL WELDS ARE 6mm CONTINUOUS FILLET UN.O.
4. ALL CIRCULAR HOLLOW SECTIONS ARE ASTM A36/A53 TYPE E OR S. GRADE B.
5. FOR SHS AND RHS SHALL BE ASTM A501. FOR PLATE & ANGLES SHALL BE ASTM A36.

REV	DATE	ENG	DESCRIPTION
0	31-01-13	SCAD	ISSUED FOR APPROVAL



The Executive Committee For  
مشروع قصر الرئاسة  
للحكومة التنفيذية المتجارية

**ARMSTRONG**  
Inspiration to create  
R.W. ARMSTRONG & ASSOCIATES  
P.O. BOX 45148, ABU DHABI, UAE  
TEL: +971 2 612 7777 FAX: +971 2 612 7700 Website: www.rwa.com

**WSP**  
MIDDLE EAST PROJECTS  
11206 ABU DHABI, UAE  
TEL: +971 21 667 3515 Fax: +971 21 283 3576  
http://www.wspgroup.com

**HAI HAD GULF**  
HAI HAD GULF QUANTITY SURVEYING  
P.O. Box 113467, ABU DHABI, UAE  
Tel: +971 2 495 7800 Fax: +971 2 459 7801  
Website: www.haigulf.com

**SMCTS**  
P.O. Box 6724, Dubai, UAE  
Tel: +971 4 3208232 Fax: +971 4 3208232  
Email: info@smcts.com

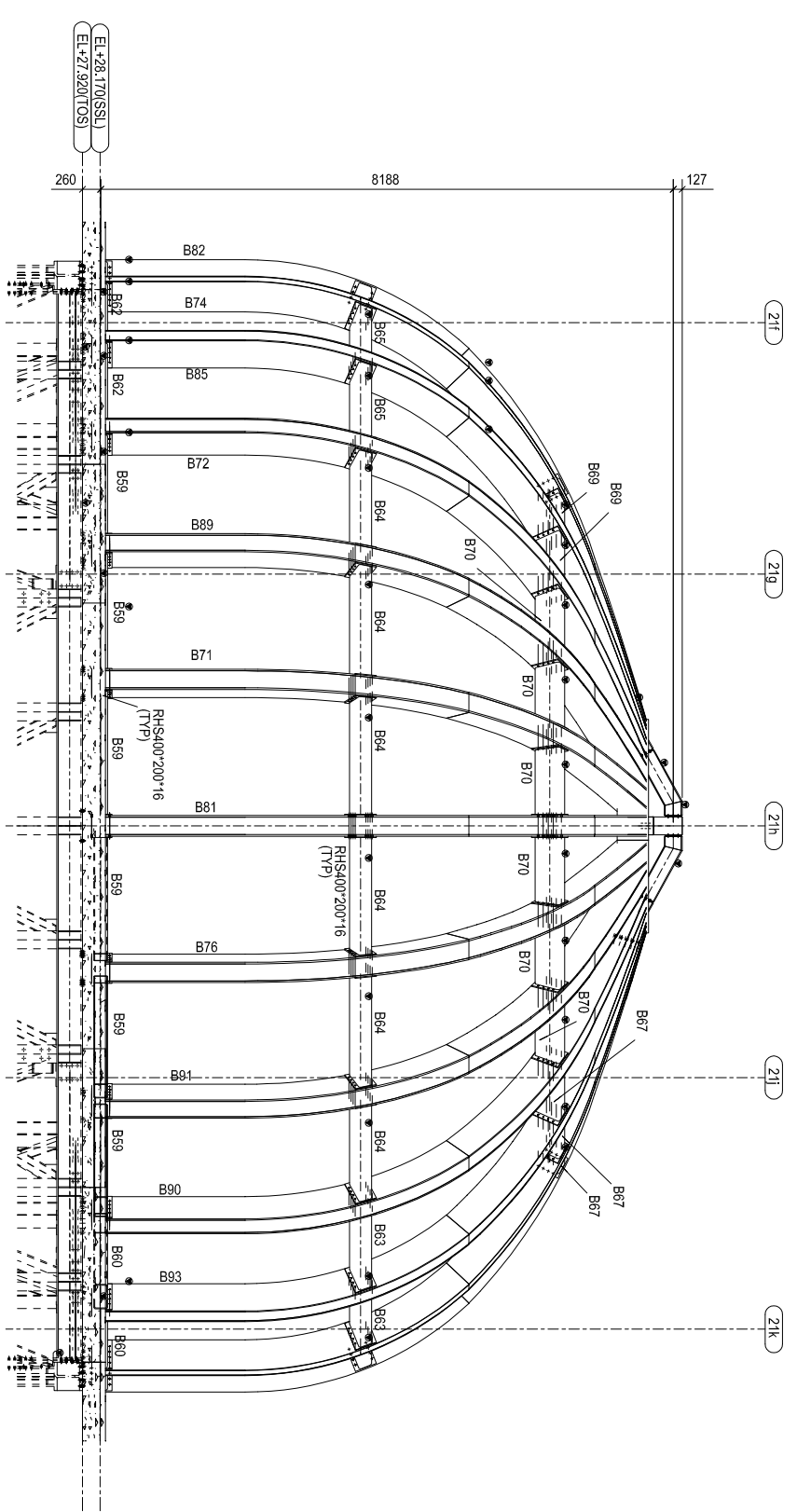
**dha design**  
Saudy & Associates  
64, C/O, Sheikh  
Tel: +971 2 495 7800 Fax: +971 2 495 7801  
Email: info@dha.com

**RASANA**  
RASANA ENGINEERING IND. CO. LTD.  
TEL: 06-5390890 FAX: 06-5390891  
P.O. Box 992, Sharjah, UAE

**PRESIDENTIAL PALACE**  
ANGILARY BUILDING  
CEREMONIAL GATE  
DOME SECTIONS

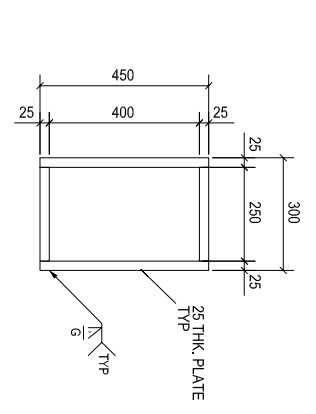
SCALE: WHEN PRINTED AT A1 SHEET SIZE @ A1 SHEET

DRAWN BY	SCAD	CHECKED BY	SCAD	APPROVED BY	E.S.	DATE
PROJECT NO.	Z077	DRAWING NO.	SI-PMCG-SS-RF-25411	REV.	0	

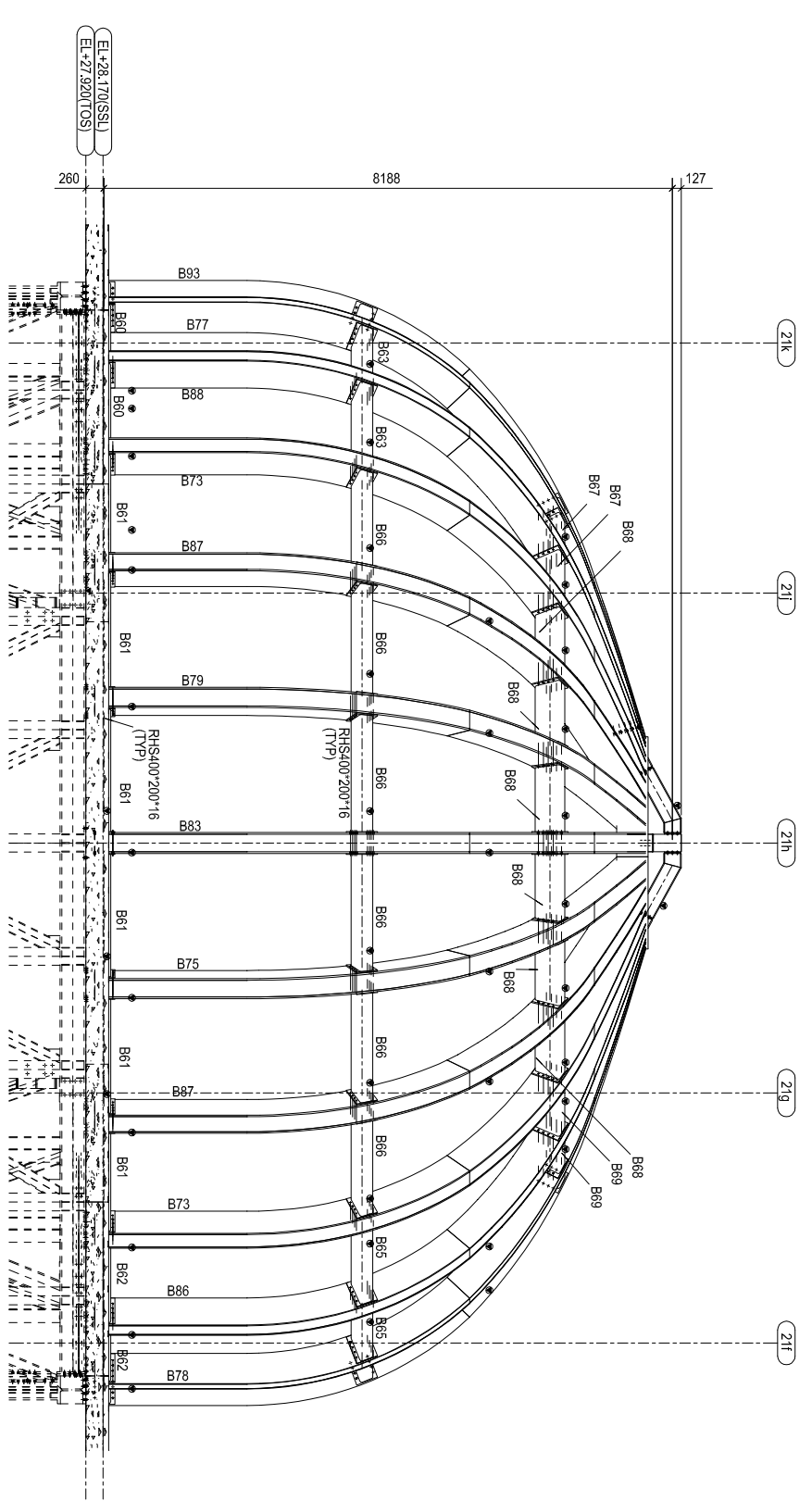


S11 SECTION  
406 1:50

ALL CURVED BUILT-UP BEAMS ARE 25 THK. PL.T. (UN.O)



TYPICAL DOME VERTICAL MEMBER DETAIL



S12 SECTION  
406 1:50

ALL CURVED BUILT-UP BEAMS ARE 25 THK. PL.T. (UN.O)